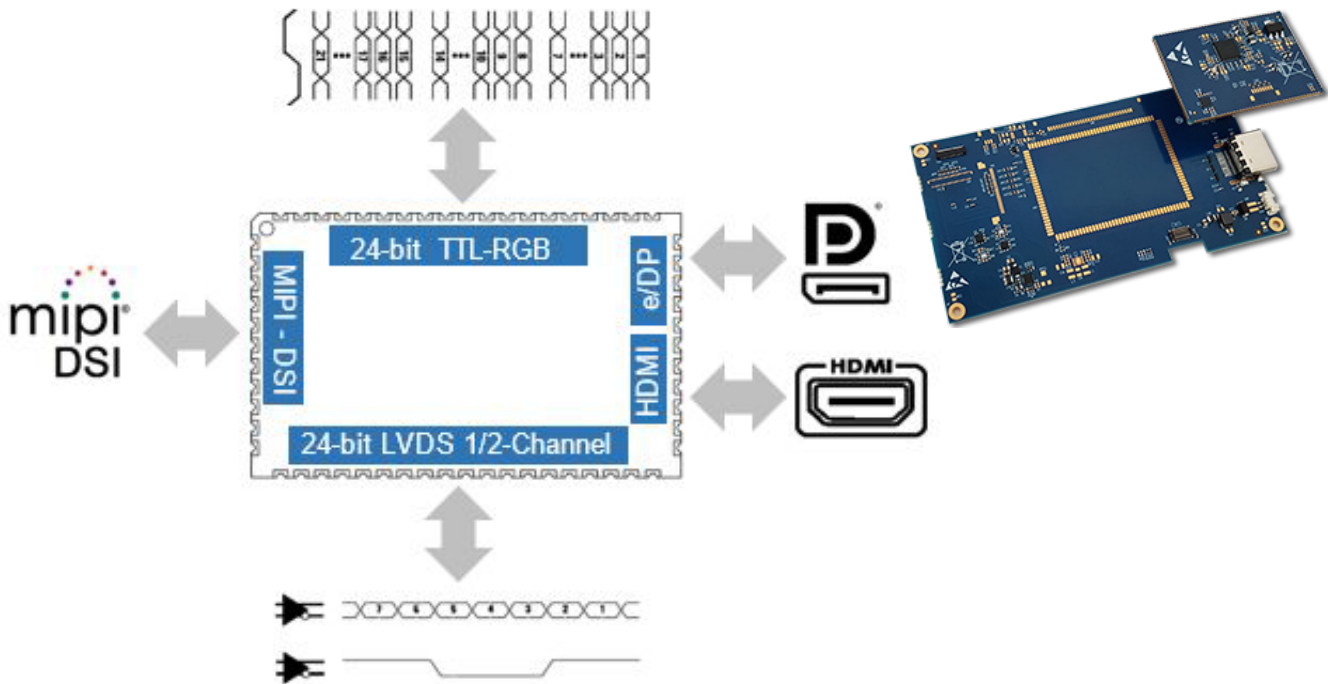


Interface Bridging

The increased number of video interfaces (TTL, HDMI, e/DP, LVDS, MIPI-DSI) leads to a multitude of possible combinations. Since the selected or desired host unit does not provide the interface required for the selected display in increasingly frequent cases, a bridge solution is required. The FlexBridge modules (BM) concept is the solution here



Benefits

- Each video interface has a fixed pin arrangement and can act as an input or output depending on the used bridge solution.
- Easy exchangeability depending on the required input or output video interface
- The half-plated hole technology (Stamp-PCB) enables simple and direct integration.
- Depending on the requirements, the FlexBridge Module can be installed on the host or on the display side.
- Small outline dimensions, only 50.0mm x 35.0mm
- Cost-effective solution

		Display Interface (Output)			
		TTL	LVDS	e/DP	MIPI DSI
Host / Board (Input)	TTL		1)	•	•
	LVDS	1)		•	•
	HDMI 1.4	•	•	•	•
	eDP/DP	•	•		•
	MIPI-DSI		•	•	

¹⁾Not reasonable for BM