

## INFRARED TOUCH SCREEN SPECIFICATION

SERIES \_\_\_\_\_ S Series \_\_\_\_\_

MODEL \_\_\_\_\_ STW46-W03GH2M10E-USB-IN \_\_\_\_\_

EDITION \_\_\_\_\_ B1 \_\_\_\_\_

DATE \_\_\_\_\_ 2009.05.18 \_\_\_\_\_

DRAWN \_\_\_\_\_

CHECKED \_\_\_\_\_

APPROVED \_\_\_\_\_

CONFIRM \_\_\_\_\_

### MTC TECHNICAL INSTITUTE

Address: 1/F South, Section 1, Industrial Building 25, Science & Technology Park ,NanShan  
District ,ShenZhen 518057 .China

TEL: (86) 0755-26509349/26509215

FAX: (86) 0755-26612331

WEB: www.mtc.com.cn

## CONTENTS

<b>1. MECHANICAL .....</b>	<b>3</b>
<b>2. TOUCH CHARACTERISTICS .....</b>	<b>3</b>
<b>3. ELECTRICAL.....</b>	<b>4</b>
<b>4. ENVIRONMENT.....</b>	<b>4</b>
<b>5. SOFTWARE (Firmware) .....</b>	<b>4</b>
<b>6. INTERFACE.....</b>	<b>5</b>
<b>7. DRAWING.....</b>	<b>6</b>

## STW46-W03GH2M10E-USB-IN

### 1. MECHANICAL

Housing	Aluminium alloy
Touch panel size (out line)	1078.5(W) ×631.5(D) ×11.8(H)mm
Active area	1021.5(W)×574.5(D)mm
Net Weight	5.0Kg
Drawing	Refer to .Appendix 7.

### 2. TOUCH CHARACTERISTICS

Input Method	Finger or touch pen
Touch Activation Force	Non Minimum activation force
Position Accuracy	2mm
Resolution	4096(W) × 4096(D)
Response Time	Touch: 16ms
	Drawing : 16ms
Cursor Speed	120 dot/sec
Glass	3mm glass, Transparence : 92% ~ 100%
Optics Number	201(W)×113(D) pcs
Optics Cell Area	5.08(W)×9.00(D)mm <sup>2</sup>
Object Touch Size	≥ Ø5mm
Touch Intensity	Over 60 millions single touch

### 3. ELECTRICAL

Operating Voltage	DC 4.5V ~ DC 5.5V	
Power	2.5W (500mA at DC 5V)	
Anti -Static Discharge	Touch Discharge, Grade 2: Lab Vol 4KV	Standard B
	Air Discharge, Grade 3: Lab Vol 8KV	
Power Supply	DC 5V ,2A	

### 4. ENVIRONMENT

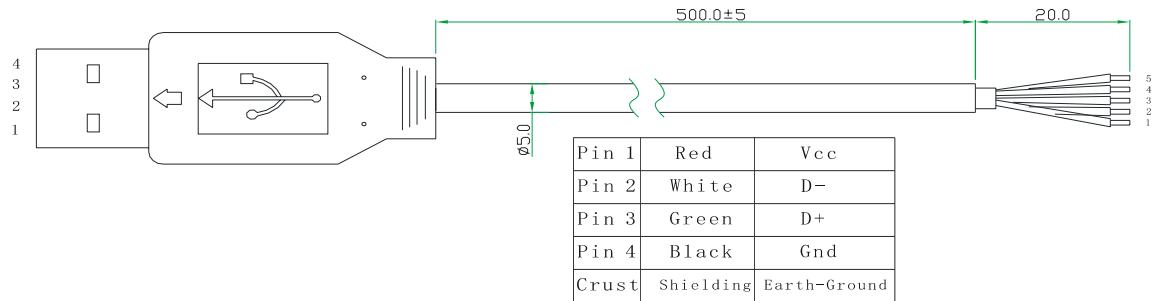
Temperature	operating: -10 °C ~ 50 °C
	storage: -30°C ~ 60 °C
Humidity	operating: 20% ~85%
	storage: 0%~95%
Relative Humidity	40 °C, 90% RH
Anti – glare Test	Incandescent lamp (220V,100W) , operating distance over 350mm
Altitude	3,000m
Interface	USB2.0 full speed
Detection Method	Infrared rays
Seal Ability	IP65
Working Environment	Under sunlight ,indoor and outdoor
Application of Display	LCD、PDP

### 5. Software (Firmware)

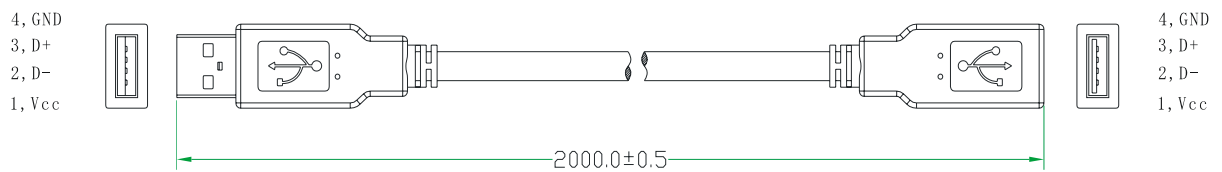
Scanning	Auto full screen scanning
Touch Trigger	Drop,raise,move on plane
Output	Coordinate output

**6. Cable information**

**6.1 USB Cable**



**6.2 USB Interface cable**



**6.3 DC interface cable**

