



## CONTENTS

<b>1. MECHANICAL .....</b>	<b>3</b>
<b>2. TOUCH CHARACTERISTICS .....</b>	<b>3</b>
<b>3. ELECTRICAL.....</b>	<b>4</b>
<b>4. ENVIRONMENT .....</b>	<b>4</b>
<b>5. SOFTWARE (Firmware) .....</b>	<b>4</b>
<b>6. INTERFACE .....</b>	<b>5</b>
<b>7. DRAWING .....</b>	<b>6</b>

## SU70-N00DH1S10E-USB-IN

### 1. MECHANICAL

Housing	Aluminium alloy
Touch panel size (out line)	1494.8 (W) ×1142.0(D) ×11.7(H)mm
Active area	1425.0(W)×1072.0(D)mm
Net Weight	9.5Kg
Drawing	Refer to .Appendix 7.

### 2. TOUCH CHARACTERISTICS

Input Method	Finger or touch pen
Touch Activation Force	Non Minimum activation force
Position Accuracy	2mm
Resolution	4096(W) × 4096(D)
Response Time	Touch: 16ms
	Drawing : 16ms
Cursor Speed	120 dot/sec
Glass	No glass, Transparence : 100%
Optics Number	274(W)×206 (D) pcs
Optics Cell Area	5.20(W)×9.00(D)mm <sup>2</sup>
Object Touch Size	≥ Ø5mm
Touch Intensity	Over 60 millions single touch
Operating System	Win 7(Auto run),Win XP/Vista

### 3. ELECTRICAL

Operating Voltage	DC 4.5V ~ DC 5.5V	
Power	4.5W (900mA at DC 5V)	
Anti -Static Discharge	Touch Discharge, Grade 2: Lab Vol 4KV	Standard B
	Air Discharge, Grade 3: Lab Vol 8KV	
Power Supply	DC 5V ,2A	

### 4. ENVIRONMENT

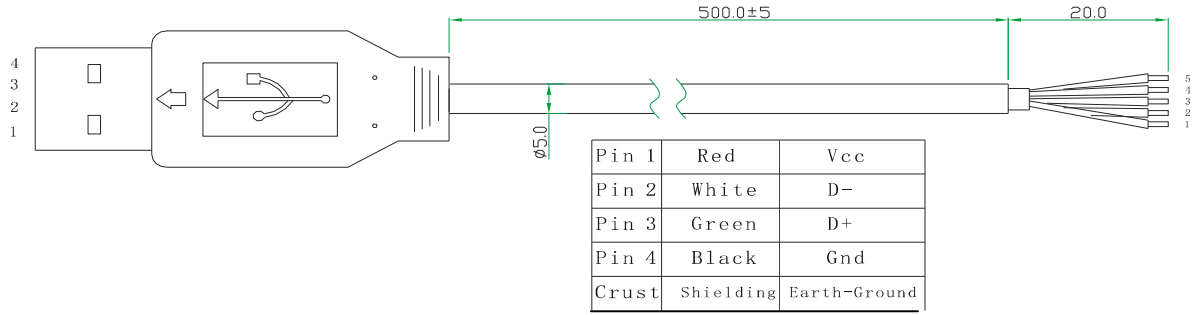
Temperature	operating: -10 °C ~ 50 °C
	storage: -30°C ~ 60 °C
Humidity	operating: 20% ~85%
	storage: 0%~95%
Relative Humidity	40 °C, 90% RH
Anti – glare Test	Incandescent lamp (220V,100W) , operating distance over 350mm
Altitude	3,000m
Interface	USB2.0 full speed
Detection Method	Infrared rays
Seal Ability	IP65
Working Environment	Under sunlight ,indoor and outdoor
Application of Display	LCD、PDP

### 5. Software (Firmware)

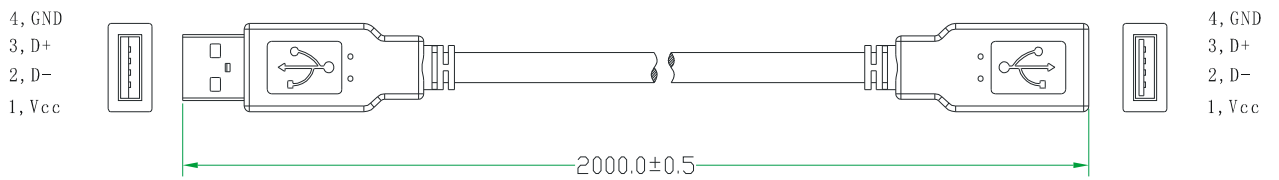
Scanning	Auto full screen scanning
Touch Trigger	Drop,raise,move on plane
Output	Coordinate output

**6. Cable information**

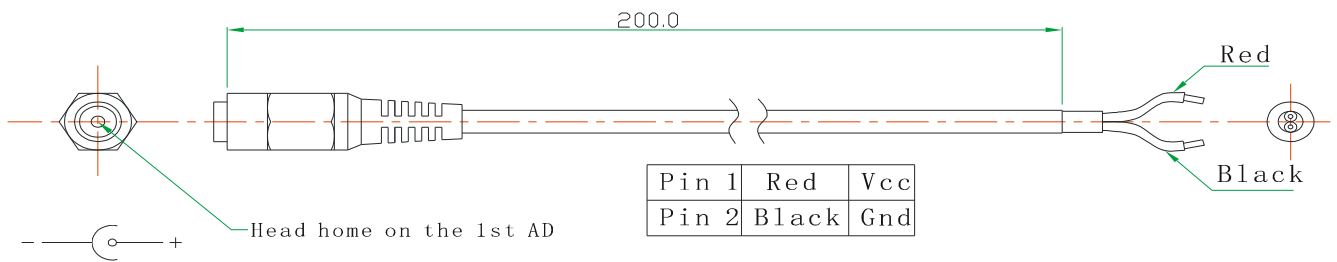
**6.1 USB Cable**



**6.2 USB Interface cable**



**6.3 DC interface cable**



# 7. drawing

