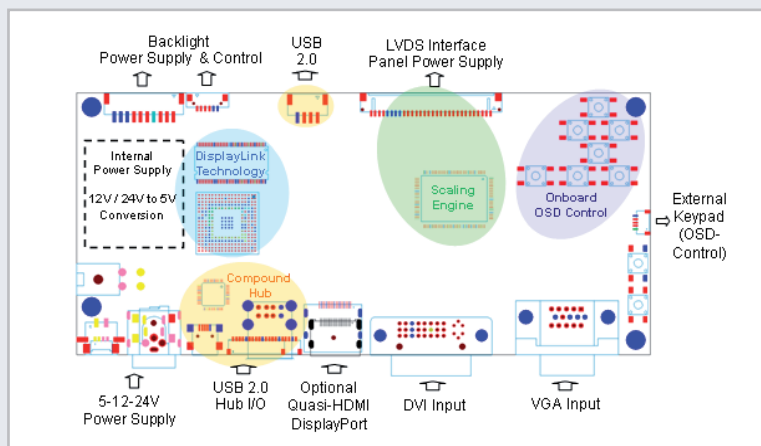


## USB-RGB-DVI Scaler Board with optional DisplayPort input supporting resolutions up to FHD / WUXGA

d.client-USB-II is a cost-effective innovative scaler board solution for high performance RGB / DVI and USB 2.0 connected displays based on ST-Micro's STDP60xx / STDP53xx scaler family and DisplayLink's latest DL1x5 device family. It is designed to act as a direct interface between either RGB, DVI or USB 2.0 and LCD TFT displays from VGA up to Full-HD/WUXGA. An additional DisplayPort (DP / HDMI Dual-Mode support) input is available on request

A highly efficient power-management and the on-board USB-Hub functionality makes the d.client-USB-II the perfect solution for ultra low power multifunctional monitors or Zero-Clients.



### Features

- USB-to Graphics Interface
- DVI® input
- RGB-analog input
- Available on request:
  - Additional DisplayPort (DP) with Dual Mode support
  - Additional Quasi HDMI-Input
- 12/24V power supply supports also large displays from a single 24V power supply
- On-board USB 2.0 Highspeed Hub

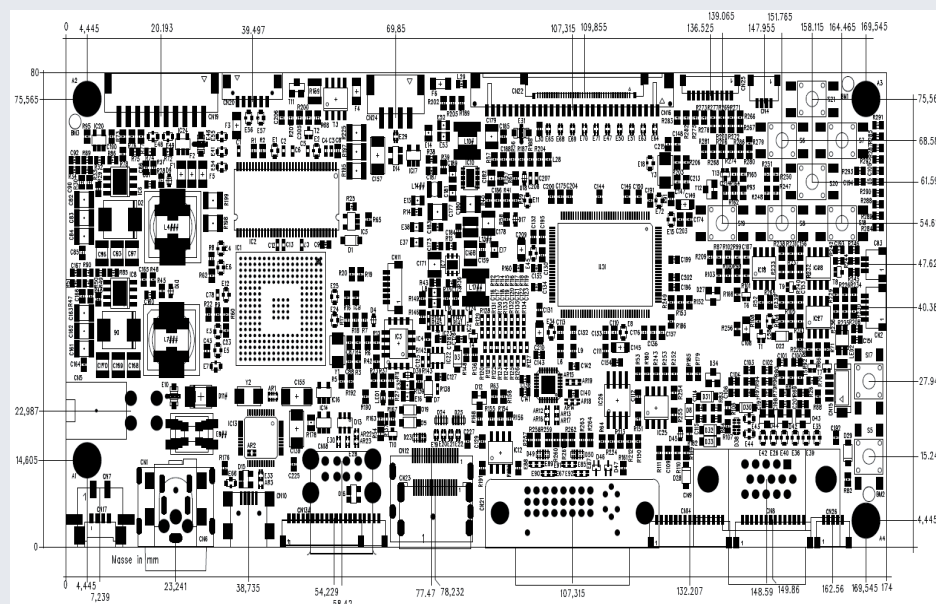
### DisplayLink™ Technology - DL1x5

- ✓ Connect a PC with USB 2.0 port directly to any LCD TFT panel
- ✓ Supports Win2000, XP, Vista, Win-7
- ✓ Supports Apple OS X-Tiger 10.4.11, Leopard 10.5.6
- ✓ Supports screen rotations and Mirror mode or extended desktop
- ✓ Supports resolutions up to Full-HD / WUXGA / QWXGA
- ✓ Up to 6 Displays are supported



### Technology (STDP50xx/STDP60xx)

- ✓ Supports LCD-TFT Displays
  - VGA to UXGA /WSXGA
  - VGA to Full-HD /WUXGA (1920x1200)
- ✓ Faroudja RealColor® color processing:
- ✓ Ultra-Reliable DVI® receiver (165 MHz)
- ✓ Triple-channel (10-bit) ADC (205 MHz) and PLL
- ✓ DisplayPort 1.1a Receiver (on request)



### Specification

**Supported Panel Resolutions (LVDS only)**

- 640x480 to 1920x1080 / 1920x1200

**Supported USB-to-Graphics Resolutions**

- DisplayLink DL165 - 640x480 to 1280x1024/1920x1080
- DisplayLink DL195 - 640x480 to 1280x1024/1920x1080

**Input Voltage**

- 12/28V (Backlight voltage = Input Voltage)
- 24V only (Panel & Backlight Supply Voltage adjustable)

**Environmental**

- Operating Temperature: 0°C to 70°C
- Relative Humidity: 5%-85%, non condensing