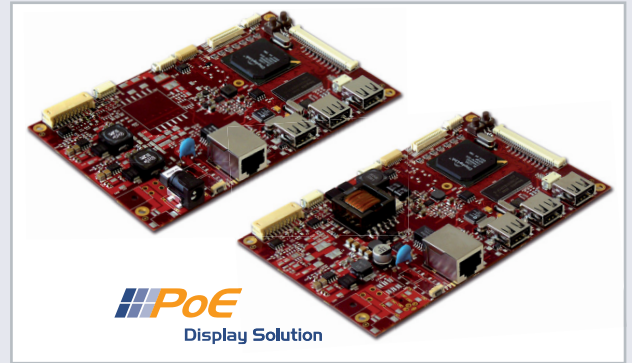


LAN Controller Board

Display over Ethernet

d.client NET is a highly innovative controller board solution for Ethernet connected displays. It is designed to act as a direct interface between a PC and almost any LCD TFT using only an Ethernet connection. The used technologies provide perfect picture quality and additional USB ports, so the board can be used as a thin client.

d.client NET is a member of the **device** family. As any member of this family, which is developed by Display Solution AG, this board was designed to meet the extended requirements of embedded applications. A well balanced hard- and software combination affords a feature rich product at a competitive price.



DisplayLink™ Technology with DL120/160 ICs

- ✓ Supports almost any resolution up to 1600x1200 / 1680x1050
- ✓ Lossless compression protocol
- ✓ Highly interactive and very low latency user experience
- ✓ Supports Windows 2000, XP and Vista - Basic & Aero, Linux planned
- ✓ Mirror mode or extended desktop
- ✓ Supports screen rotations of 90°, 180°, 270°, 360°
- ✓ Full 24bit (Windows: 32bit True Colour) colour support
- ✓ Video playback with 60 fps @ high resolution
- ✓ Fully Microsoft WHQL signed

Elite Silicon Technology with E1868M1/M4 ICs

- ✓ SoC USB Server solution
- ✓ Supports 10/100Mbase-Tx Ethernet
- ✓ Integrates many system level functions such as an 10/100Mbase-Tx Ethernet PHY controller, USB2.0 PHY
- ✓ Supports interrupt, control, bulk AND isochronous USB transfers
- ✓ Supports DHCP, configures IP Address automatically
- ✓ Embedded USB 2.0 host controller and transceiver, totally compliant with USB1.1/USB2.0 (high-speed) specification
- ✓ Driver fully Microsoft WHQL signed

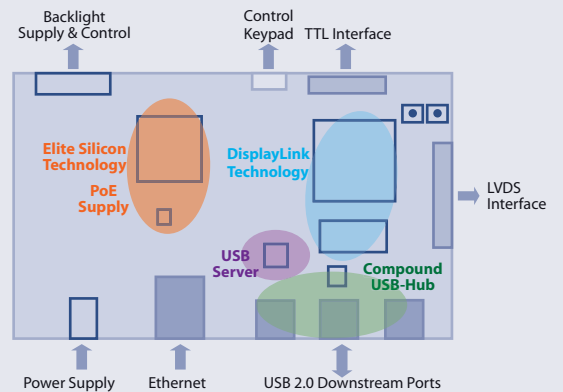
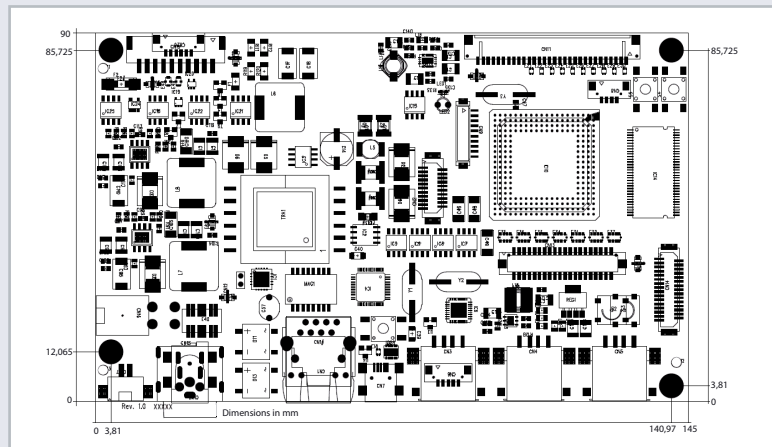


Features

- Supports displays up to 1600x1200 / 1680x1050 resolution
- Supports static pictures as well as video
- Provides 3 additional 2.0 USB ports for keyboard, mouse and e.g. USB Memory Stick (full/high-speed compliant)
- With external WLAN router even wireless connection possible

Applications

Advertisement displays, electronic door shields, home automation displays, long distance solutions (according to standard up to 100 m per segment), POS displays, industrial automation control panels, etc.



Specification

- Supported Input Resolutions (LVDS / TTL)**
- 640x480 to 1280x1024 / 1440x900 (DisplayLink DL120)
 - 640x480 to 1600x1200 / 1680x1050 (DisplayLink DL160)

- Input Voltage**
- 8V-26V (Backlight Voltage = Input Voltage)
 - Typical 12V or 24V

- Environmental**
- Operating Temperature: 0°C to 70°C
 - Relative Humidity: 5%-85%, non condensing